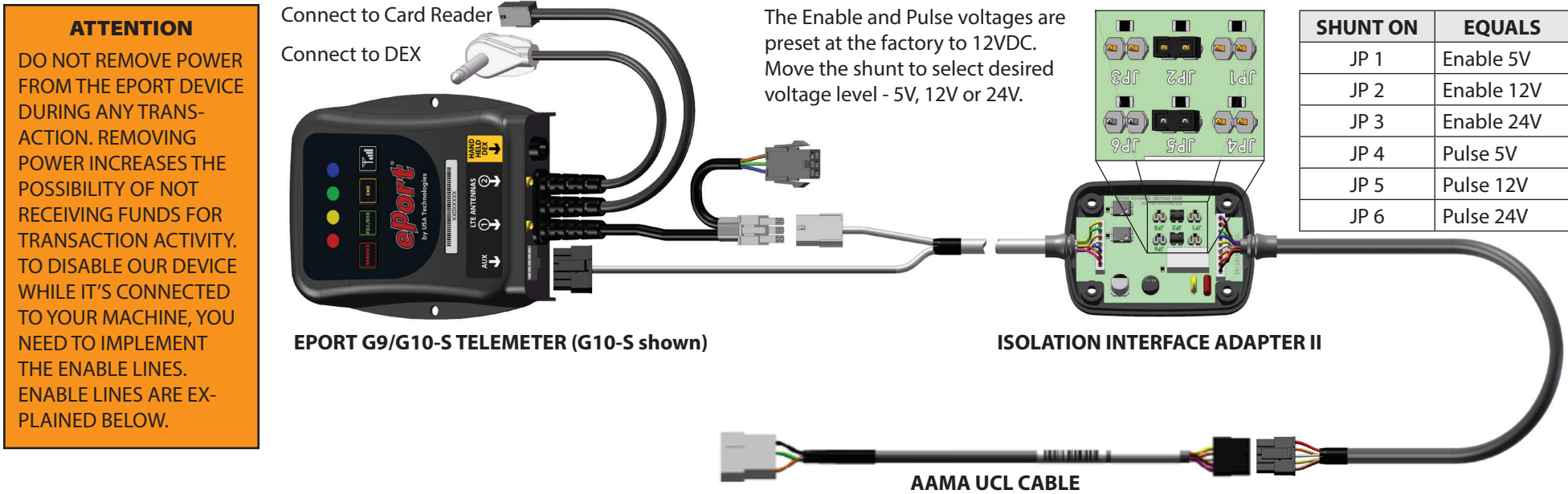
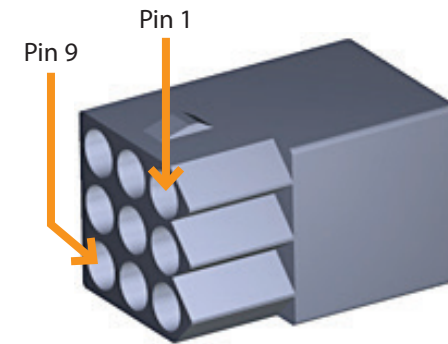


Isolation Interface Adapter II - Install Instructions for the AAMA UCL Gaming and Amusement Interface



Included with your ePort G9/G10-S cashless system is the Isolation Interface II kit (V9VUK0201130), and the AAMA UCL cable (V9VCU0201132). There is an additional cable included with the Isolation Interface II kit (V9VUC0201102) which has a connector at one end, and bare wires at the other. This extra cable can be discarded, and will not be used in this installation.

1. Connect the ePort Telemeter and Isolation Interface II as shown in the diagram above.
2. Connect the AAMA UCL cable to the Isolation Interface II as shown in the diagram above.
3. The Isolation Interface II is factory shipped ready for 12 Volt UCL compliant machines. To ensure your machine is a 12 Volt system, use a Volt Meter to measure the voltage on the UCL connector in the machine, by placing the black lead of the meter on pin 9 of the connector, and the red lead on pin 1. The figure to the right shows pin locations.
4. If your machine is not 12 Volts, then change the jumpers inside the Isolation Interface II to the locations shown in the table in the upper right corner.



UCL CONNECTOR

ATTENTION

THIS DEVICE CAN NOT BE USED IN APPLICATION WITH VOLTAGES GREATER THAN 24 VOLTS DC.